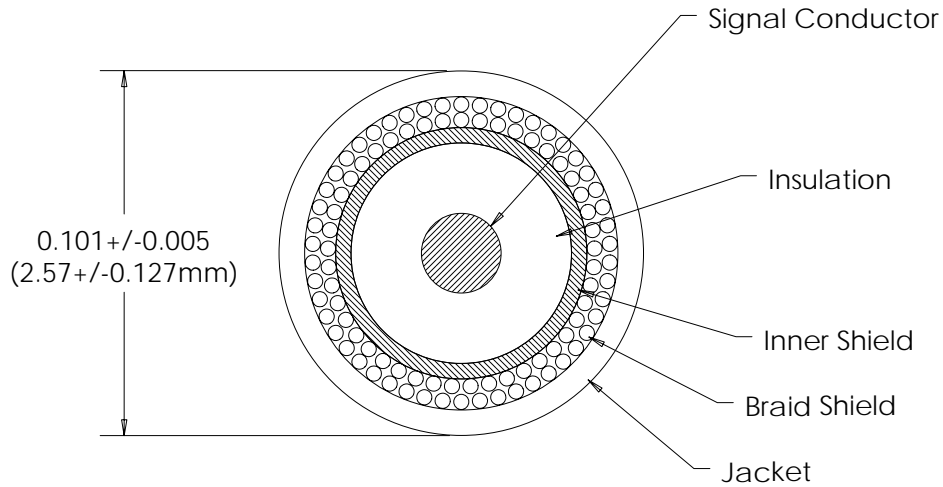


REVISION RECORD

REV	DESCRIPTION	DFTM	DCR
4	Adjust Core Primary Diameters, See Attached.	RL	2070
5	Dimensional Adjustments. Change Flat Served Shield Lay Length.	RL	2269



CONSTRUCTION

Signal Conductor: 0.0201" +/- 0.0002" (0.51 +/- 0.0051mm), Silver Plated Copper per ASTM B-298
 Insulation: FEP per applicable paragraph MIL-DTL-17, 0.065" +/- 0.001" (1.65 +/- 0.0256mm) OD
 Inner Shield: Helically Overlapped Flat Silver Plated Copper per ASTM B-298
 Braid Shield: 40 AWG Silver Plated Copper per ASTM B-298, >90% Coverage
 Overall Shield Diameter: 0.085" +/- 0.002 (2.18 +/- 0.05mm)
 Jacket: FEP in accordance with MIL-DTL-17, Type IX
 Wall Thickness: 0.008" (0.19mm)
 Color: Blue

Freq (GHz)	Attenuation (dB/100 ft)	Avg Power (W)
0.5	15	168
1	21	117
2	31	80
4	46	55
8	67	37
12	83	32
18	105	23

ELECTRICAL

Impedance: 50 +/- 1 ohms
 Velocity Of Propagation: 70%
 Capacitance: 29 pF/ft (95 pF/m)

GENERAL

Temperature Rating: -65C to 165C
 Static Bend Radius: 0.3" (7.6mm)
 Dynamic Bend Radius: 0.6" (15mm)
 Weight: 13 lbs/1000ft
 Patent Pending



TEMP-FLEX CABLE, INC.

26 Milford Road South Grafton, MA 01560 Phone: 508-839-5987 Fax: 508-839-4128

CAGE CODE: 0CGL7

This document is the property of TEMP-FLEX. It may not be disclosed, reproduced, or otherwise used without permission.

DFTM: RL

DATE: 8/13/10

TITLE:

Low Loss Microwave Coax,
24 AWG

PART No:

086SC-2401

APPD: KP

DATE: 8/13/10

SHEET 1 OF 1

REV: 5