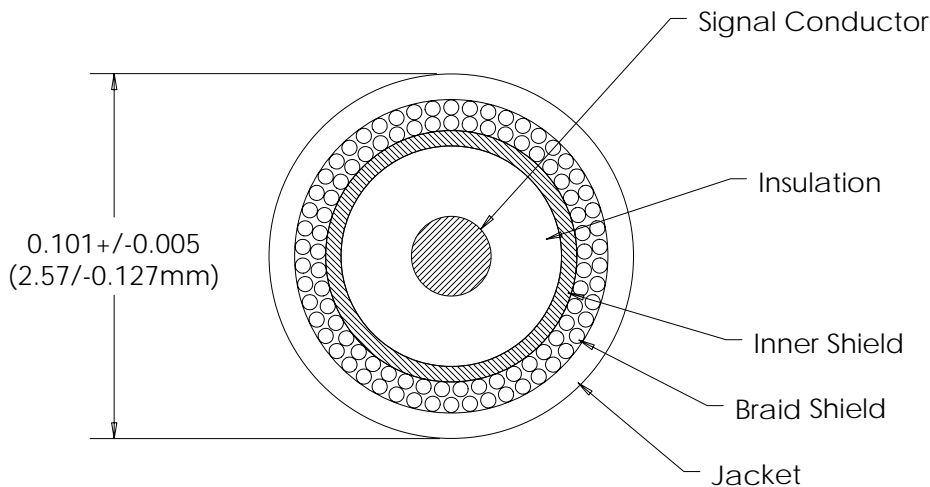


REVISION RECORD			
REV	DESCRIPTION	DFTM	DCR
3	Update to NP1105 & 100.06. Added Notes.	KP	1651
4	Adjust Core Primary Diameters, See Attached	RL	2070



CONSTRUCTION

Signal Conductor: 0.0201" +/- 0.0002" (0.51 +/- 0.0051mm), Silver Plated Copper per ASTM B-298
 Insulation: FEP per applicable paragraph MIL-DTL-17, 0.066" +/- 0.001" (1.68 +/- 0.0256mm) OD
 Inner Shield: Helically Overlapped Flat Silver Plated Copper per ASTM B-298
 Braid Shield: 40 AWG Silver Plated Copper per ASTM B-298, >90% Coverage
 Overall Shield Diameter: 0.086" +/- 0.002 (2.18 +/- 0.05mm)
 Jacket: FEP in accordance with MIL-DTL-17, Type IX
 Wall Thickness: 0.0075" (0.19mm)
 Color: Blue

Freq (GHz)	Attenuation (dB/100 ft)	Avg Power (W)
0.5	15	168
1	21	117
2	31	80
4	46	55
8	67	37
12	83	32
18	105	23

ELECTRICAL

Impedance: 50 +/- 1 ohms
 Velocity Of Propagation: 70%
 Capacitance: 29 pF/ft (95 pF/m)

GENERAL

Temperature Rating: -65C to 165C
 Static Bend Radius: 0.3" (7.6mm)
 Dynamic Bend Radius: 0.6" (15mm)
 Weight: 13 lbs/1000ft
 Patent Pending

CUSTOMER SIGNATURE REQUIRED

APP'D BY: _____

DATE: _____



This document is the property of TEMP-FLEX. It may not be disclosed, reproduced, or otherwise used without permission.	TEMP-FLEX CABLE, INC.			CAGE CODE: 0CGL7	
	26 Milford Road South Grafton, MA 01560 Phone: 508-839-5987 Fax: 508-839-4128				
	DFTM: RL	DATE: 12/9/09	TITLE: Low Loss Microwave Coax, 24 AWG		PART No: 086SC-2401
	APPD: KP	DATE: 12/9/09			SHEET 1 OF 1